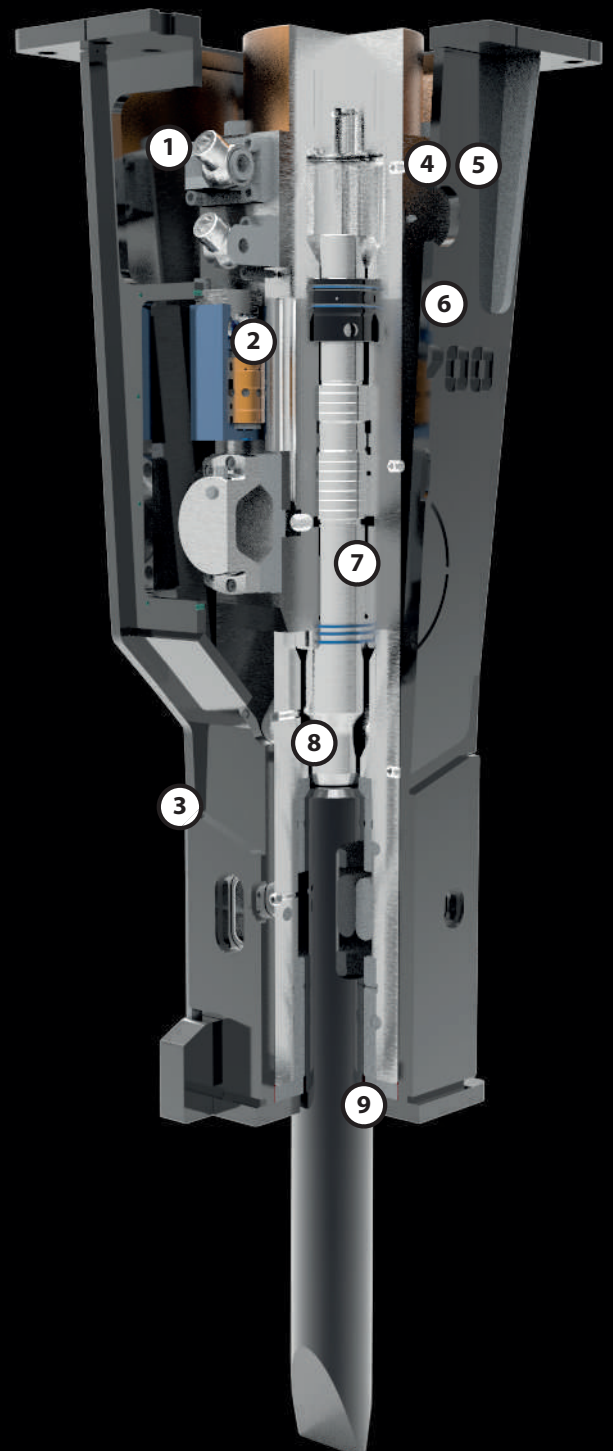


EFFICIENCY BECOMES POWER

Hammer Hydraulic Breakers

- 1** Tubes with swivels fully protected from any bad uses and resistant to vibrations in case of lack of nitrogen in the chamber.
- 2** Regulation of the operating pressure
For the FX series (FX950-15000), it is possible to adjust the working pressure by a manual valve located frontally, on the distribution of the breaker.
- 3** Anti-dust and underwater work set up
You can prevent the entry of dust and water into the breaker by blowing air into the proper hole in the front part of the breaker, with a pressure not less than 10 bar.
- 4** Automatic hydraulic greasing device (optional, mounted on the breaker)
The Beka-Lube automatic lubrication system optimizes the lubrication procedure and reduces maintenance and downtimes
- 5** Automatic hydraulic greasing device with exclusive Hammer electric control (optional, mounted on the excavator).
Innovative electric system with automatic grease distribution, less liable to vibration breakages thanks to its own tank of grease with a capacity of 4 kg or 8 kg, making thus the system cheaper than all the other devices with single cartridges.
- 6** Manual adjustment of blows
For the FX series (FX950-FX15000), the regulation of the blows is carried out manually by an adjusting valve located on the side of the breaker.
- 7** Hydraulic system for blank firings
The hydraulic system is a regenerative oil circuit that avoids blank firings when the tool is not in contact with the rock.
- 8** The piston is built with a special geometry such as to keep a constant energy of impact, as well as for reducing breakages in conditions of criticality.
- 9** Anti-dust system for tunnels (optional)
The anti-dust system consists of the addition of a dustproof seal mounted in the lower bush so to avoid the entering of impurities in the circuit.

FX SERIES



The breakers of the FX series, thanks to their power and efficiency and to the right ratio between weight and power, are suitable for secondary demolition work, excavations in quarry, work in urban areas, tunnels, pipelines and railway tunnels and, concerning the biggest models, demolitions in open pit mining.

HAMMER HYDRAULIC BREAKERS

14 models for excavators with operating weight from 8 to 200 ton


- TUBES WITH SWIVELS FULLY PROTECTED
- ADJUSTING OF THE OPERATING PRESSURE
- ANTI-DUST AND UNDERWATER WORK SET UP
- AUTOMATIC HYDRAULIC GREASING DEVICE
- MANUAL ADJUSTMENT OF BLOWS
- HYDRAULIC SYSTEM FOR BLANK FIRINGS
- ANTI-DUST SYSTEM FOR TUNNELS

FX SERIES



EFFICIENCY BECOMES POWER

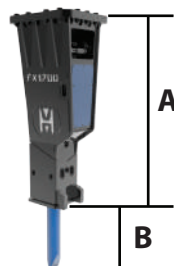
MODELS

		FX700	FX950	FX1300
 CARRIER WEIGHT	t	8-15	10-16	14-24
WEIGHT	kg	700	950	1200
BODY HEIGHT (A)	mm	1310	1390	1470
TOOL HEIGHT (B)	mm	430	550	560
CHISEL DIAMETER	mm	95	115	120
REQUIRED OIL SUPPLY	l/min	70-100	90-120	110-140
OIL HAMMER PRESSURE	bar	160	165	170
BLOWS PER MINUTE	/min	600-900	600-900	400-900
ENERGY PER BLOW	j	2000	2600	3200
MAX. BACK PRESSURE	bar	25	25	25
INNER DIAM. IN HOSE	inch	3/4"	1"	1"
INNER DIAM. OUT HOSE	inch	3/4"	1"	1"

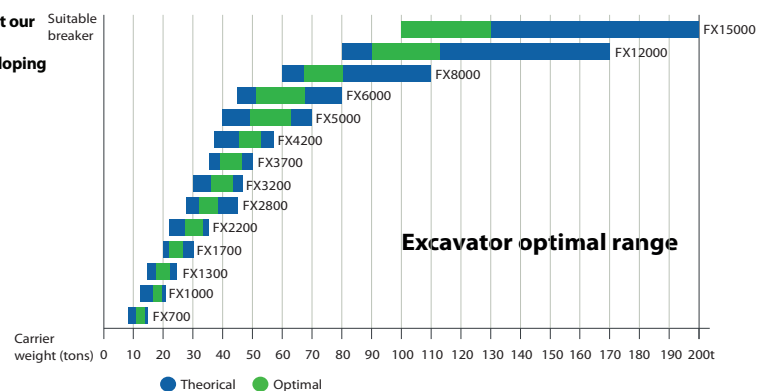
*All illustrations and numerical data in this catalog are purely indicative and subject to change at our discretion and without notice. We therefore reserve the right to modify them with a view to improving and continuously developing our product.

Suitable
breaker

Technical Drawing



WWW.HAMMEREUROPE.COM





FIND OUT MORE



Moil Point
Suitable for concrete, medium-hard and not layered rocks.



Cobra Tool
Suitable for quarry works, such as primary demolition and reduction of stone blocks.



Chisel Tool
Suitable for medium-hard and layered rocks.



Blunt Tool
Suitable for reinforced concrete and very compact rocks.



Automatic hydraulic greasing device (optional, mounted on the breaker)
The Beka-Lube automatic lubrication system optimizes the lubrication procedure and reduces maintenance and downtimes.



Pyramid Tool
Suitable for reinforced concrete and very compact rocks.



MINING & QUARRYING



DEMOLITION & RENOVATION



CONSTRUCTION



METALLURGICAL INDUSTRY

MODELS

		FX1700	FX2200	FX2800	FX3200
CARRIER WEIGHT (t/lb)	t	20-30	22-35	28-45	30-47
WEIGHT	kg	1700	2200	2900	3200
BODY HEIGHT (A)	mm	1670	1840	2030	2030
TOOL HEIGHT (B)	mm	620	720	710	710
CHISEL DIAMETER	mm	135	150	160	160
REQUIRED OIL SUPPLY	l/min	130-160	165-190	180-240	200-260
OIL HAMMER PRESSURE	bar	180	180	180	180
BLOWS PER MINUTE	/min	400-800	400-800	350-700	300-650
ENERGY PER BLOW	j	4200	5400	8500	9000
MAX. BACK PRESSURE	bar	25	25	25	25
INNER DIAM. IN HOSE	inch	1"	1"	1" 1/4	1" 1/4
INNER DIAM. OUT HOSE	inch	1"	1" 1/4	1" 1/4	1" 1/4

*All illustrations and numerical data in this catalog are purely indicative and subject to change at our discretion and without notice. We therefore reserve the right to modify them with a view to improving and continuously developing our product.



HAMMER HYDRAULIC BREAKERS


14 models for excavators with operating weight from 8 to 200 ton

FX SERIES

- TUBES WITH SWIVELS FULLY PROTECTED
- ADJUSTING OF THE OPERATING PRESSURE
- ANTI-DUST AND UNDERWATER WORK SET UP
- AUTOMATIC HYDRAULIC GREASING DEVICE
- MANUAL ADJUSTMENT OF BLOWS
- HYDRAULIC SYSTEM FOR BLANK FIRINGS
- ANTI-DUST SYSTEM FOR TUNNELS

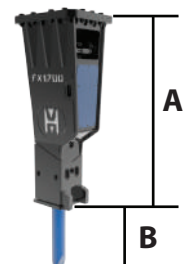


EFFICIENCY BECOMES POWER

MODELS		FX3700	FX4200	FX5000
 CARRIER WEIGHT (t/lb)	t	35-50	37-57	40-70
WEIGHT	kg	3700	4400	4850
BODY HEIGHT	mm	2250	2250	2390
TOOL HEIGHT	mm	790	790	700
CHISEL DIAMETER	mm	175	180	190
REQUIRED OIL SUPPLY	l/min	250-300	270-320	290-350
OIL HAMMER PRESSURE	bar	180	190	250
BLOWS PER MINUTE	/min	300-650	300-650	250-550
ENERGY PER BLOW	j	9500	12500	16500
MAX. BACK PRESSURE	bar	25	25	30
INNER DIAM. IN HOSE	mm	1" 1/4	1" 1/4	1" 1/4"
INNER DIAM. OUT HOSE	mm	1" 1/4	1" 1/4	1" 1/4"

*All illustrations and numerical data in this catalog are purely indicative and subject to change at our discretion and without notice. We therefore reserve the right to modify them with a view to improving and continuously developing our product.

Technical Drawing





**FIND OUT
MORE**



Moil Point
Suitable for concrete,
medium-hard and not layered rocks.



Blunt Tool
Suitable for reinforced concrete and very
compact rocks.



Pyramid Tool
Suitable for reinforced concrete and very
compact rocks.



Cobra Tool
Suitable for quarry works,
such as primary
demolition and reduction
of stone blocks.



Chisel Tool
Suitable for medium-hard and
layered rocks.



**Automatic hydraulic greasing
device (optional, mounted
on the breaker)**
The Beka-Lube automatic
lubrication system optimizes
the lubrication procedure
and reduces maintenance
and downtimes.



MINING & QUARRYING



DEMOLITION & RENOVATION



CONSTRUCTION



METALLURGICAL INDUSTRY

MODELS

FX6000

FX8000

FX12000

FX15000

		FX6000	FX8000	FX12000	FX15000
CARRIER WEIGHT	t	45-80	60-110	80-170	100-200
WEIGHT	kg	5400	7800	12000	14500
BODY HEIGHT	mm	2390	1840	2030	2030
TOOL HEIGHT	mm	620	720	710	710
CHISEL DIAMETER	mm	195	215	255	280
REQUIRED OIL SUPPLY	l/min	300-380	380-440	480-570	500-600
OIL HAMMER PRESSURE	bar	190	190	190	190
BLOWS PER MINUTE	/min	250-550	200-400	150-300	150-250
ENERGY PER BLOW	j	18500	23000	28000	35000
MAX. BACK PRESSURE	bar	30	30	30	30
INNER DIAM. IN HOSE	mm	1" 1/4	1" 1/4	1" 1/2	1" 1/2
INNER DIAM. OUT HOSE	mm	1" 1/4	1" 1/4	1" 1/2	1" 1/2

*All illustrations and numerical data in this catalog are purely indicative and subject to change at our discretion and without notice. We therefore reserve the right to modify them with a view to improving and continuously developing our product.





Valvola di Velocizzazione
Speed Valve
Eilgangventil
Speed Valve
Valvula de Velocidad
Скоростной клапан



Moltiplicatore di pressione BOOSTER
Pression multiplier BOOSTER
Druckmultiplikator BOOSTER
Multiplicateur de pression BOOSTER
Multiplicador de presión BOOSTER
Множитель Давления BOOSTER



Peso attrezzatura
Equipment weight
Eigengewicht
Poids de l'outil
Peso del implemento
Вес оборудования



Rotazione continua 360°
360° rotation
360° Kontinuierliche Rotation
Rotation continue 360°
Rotación continua a 360°
Непрерывное вращение на 360°



Peso escavatore
Excavator weight
Baggergewicht
Poids du porteur
Peso Escavadora
Вес экскаватора



Portata olio della rotazione
Rotation oil flow capacity
Oelfluss der Rotation
Débit hydraulique rotation
Caudal de aceite necesario para la rotación



Peso escavatore - posto benna
Excavator weight - stick mounting
Baggergewicht - Loeffelstiehlmontage
Poids du porteur - au but du
Peso escavadora al segundo brazo
Вес экскаватора (Рукоять)



Pressione di esercizio rotazione
Rotation Pressure
Oeldruck der Rotation
Pression hydraulique rotation
Presión necesaria para la rotación
Давление ротации



Peso escavatore - posto braccio
Excavator weight - boom mounting
Baggergewicht - Baggerarmmontage
Poids machibe - montage a la place du
balancier
Peso escavadora al balancin



Pressione di esercizio escavatore
Excavator working pressure
Oeldruck der Bagger
Pression hydraulique excavateur
Presión de la Escavadora
Давление откр./закр. челюстей

F3

Forza in punta
Tip force
Schliesskraft auf die Spitze
Force à la pointe
Fuerza en punta
Мощность на кончике



Portata olio escavatore
Excavator oil flow capacity
Oelfluss der Bagger
Débit hydraulique excavateur
Caudal aceite de la Escavadora
Поток откр./закр. челюстей



Lunghezza lama
Steel blade length
Messerlaenge
Longuer couteau
Anchura cuchilla
Длина ножей

All illustrations and numerical data in this catalog are purely indicative and subject to change at our discretion and without notice. We therefore reserve the right to modify them with a view to improving and continuously developing our product.